

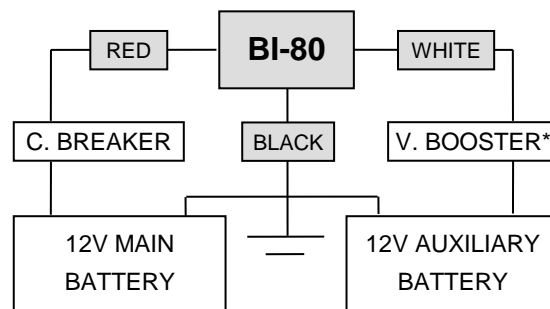
ELECTRO PARTS AUSTRALIA PTY LTD

ABN 66 054 805 024

AUTOMATIC DUAL BATTERY CHARGING DUAL BATTERY ISOLATOR

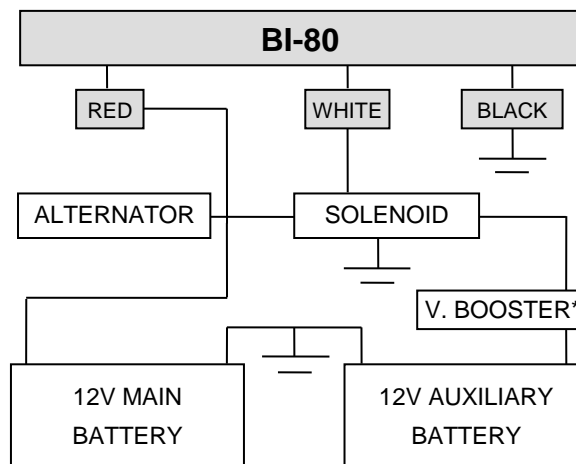
12V Systems - For Charging Auxiliary Batteries

Option 1 ELECTRONIC DUAL BATTERY ISOLATOR



* Option

Option 2 ELECTRONIC CONTROL MODULE



* Option

Features:

- Switches On 13.2V
- Switches Off 12.6V
- Charging LED Indicator
- Spike Suppression
- No Voltage Drop
- Weather Resistant
- 12 Month Warranty

Part No.	Voltage	Rating	Dimensions (mm)
BI-80	12V	80 AMP	86 67 35