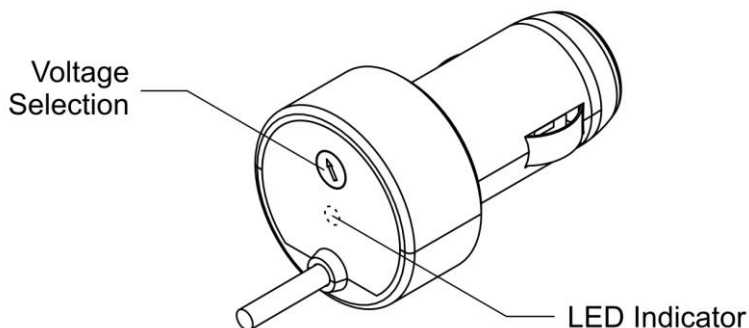


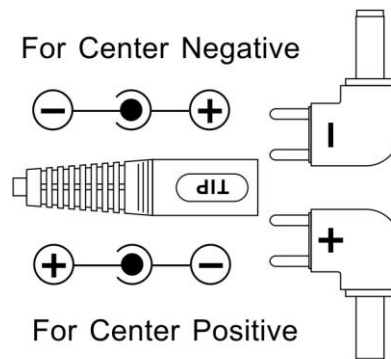
VC-2 Operation Manual



1. Adjust Voltage



2. Set Polarity



WARNING!

INCORRECT OUTPUT VOLTAGE AND OR POLARITY MAY DAMAGE YOUR APPLIANCE

- **Do Not** use this adapter if you are not sure of the polarity and voltage of the DC input of your appliance.
- **Do Not** use this adapter for the appliance that requires a continuous current higher than 1500mA
- **Do Not** cover the adapter during operation as ventilation is essential for proper operation.
- **Do Not** use the adapter while starting the vehicle.
- It is advisable **not to use** the car power adapter for extensive period when the **engine is turned off**. Depending on the power consumption of your appliance and the capacity of your car battery, it may drain your battery flat.
- Before using this adapter, make sure you read this operation manual in full and keep it in a safe place for future reference.
- Only use this adapter with 12V or 24V input.

OPERATION PROCEDURE

Preparation

1. Take out the batteries and switch off your appliance.
2. Selecting the right voltage.
Use a small screw driver to set the head of the recess arrow to point to your chosen voltage.
The Voltage level can be selected to 3V, 4.5V, 6V, 7.5V, 9V and 12V.
3. Find out whether your appliance is center POSITIVE or center NEGATIVE.
Most appliances have the following markings on or near the Input Socket showing voltage and polarity.

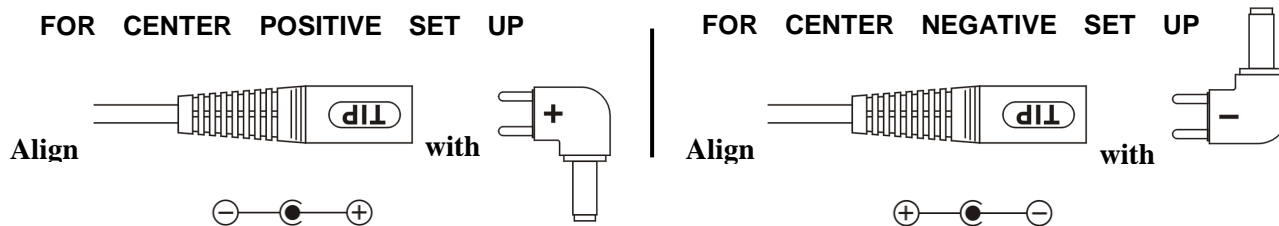


When the center is linked to a + sign, it is then center **POSITIVE**

When the center is linked to a – sign, it is then center **NEGATIVE**

4. Setting the chosen polarity for the output plug.

- There is only one engraved marking on the cable socket it is **TIP**
- But each of the supplied output plugs have two engraved markings, + and – sign just above the pins.



5. Plug in the car power Adapter to the cigarette lighter socket and check that the LED light is on for proper Connection.
6. Double check for polarity and voltage of your appliance and adapter setting.
7. Plug in the output plug into your appliance.
8. Switch on your appliance as usual.