

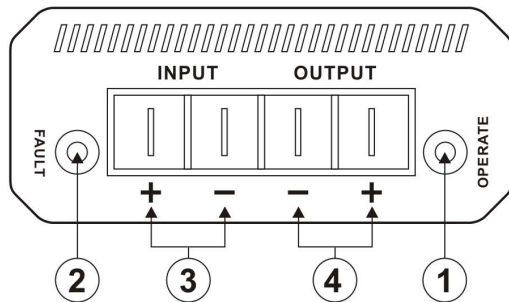
ELECTRO PARTS AUSTRALIA PTY LTD

ABN 66 054 805 024

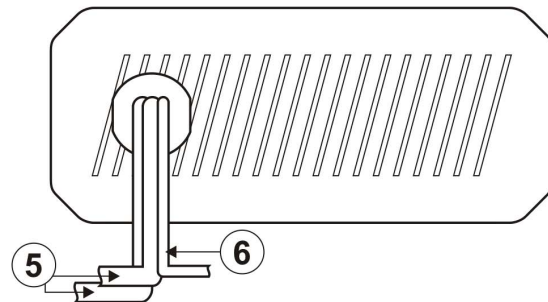
SWITCH MODE DC-DC VOLTAGE CONVERTERS

VC DUAL OUTPUT SERIES

FRONT PANEL



REAR PANEL



1. OPERATE INDICATOR (GREEN LED)
2. FAULT INDICATOR (RED LED)
3. INPUT TERMINALS
4. CONSTANT OUTPUT TERMINALS

5. SWITCHABLE OUTPUT
(Red cable for positive, Black cable for negative)
6. IGNITION SWITCH WIRE (Blue cable)

SPECIFICATIONS

Models	VC-71	VC-121
Input Voltage Range	18Vdc to 38Vdc	
Output Voltage	13.8Vdc	
Continuous Output Current (Constant Output + Switchable Output)	7A	12A
Maximum Output Current at 30% Duty Cycle (Constant Output + Switchable Output)	12A	16A
No Load Current	<30mA	<50mA
Ripple & Noise (p-p)	<100mV	
Ripple & Noise (r.m.s.)	<10mV	
Load Regulation	<50mV	
Line Regulation	<50mV	
Efficiency	>90%	>90%
Protection	OVP (Output Over-Voltage Protection) , Loss of Earth Protection , Self Reset Protection : a)Reverse Polarity Protection; b)Overload Protection; c)Short Circuit Protection	
Indicators	Green LED-OPERATE and Red LED-FAULT	
Input & Constant Output Connection type	Push-on Flat Blade Terminals	
Switchable Output Connection Type	1.2m Length Cable	
Cooling System	Natural Convection	
Max. Operating Temperature	50°C	
Internal Input Fuse (glass type)	12A	20A
Dimension (LxWxH) mm	111x75x32	172x75x32
Weight	320g	550g
Accessories	Mounting Bracket, Screws and Push-on Terminals	